

[Home](#) ■ [Produkty](#) ■ [Kraty, sita i sita gęste](#) ■ [Sita ultra gęste](#) ■ [HUBER Sito bębnowe RoMesh®](#)

## HUBER Sito bębnowe RoMesh®



### Ultra fine Rotary Drum Screen with two-dimensional effect for very fine particulate material

- Separation of hairs, fibres, fine suspended material
- Fine screen, river and sea outfall
- Service water recovery
- Defined separation size
- COD/BOD reduction

### Applications

#### ▪ Separation of hairs, fibres and suspended material from municipal and industrial wastewaters

Preliminary separation of fine material is very important for Membrane Bioreactors, amongst other technologies, since such fine material can not only impair the plant's performance, but also cause major operational problems.

#### ▪ Reduction of COD/BOD<sub>5</sub> in river and sea outfalls

Where river and sea outfalls have only a mechanical treatment stage, it is important to reduce the oxygen-consuming loads in the wastewater to avoid eutrophication of the receiving water. The RoMesh® Screen is able to reduce BOD<sub>5</sub> by 20% and filterable solids (AFS) by 50% and thus can meet the required discharge standard. Even better performance can be achieved with prior precipitation and flocculation.

## Korzyści

### THE BENEFITS OF THE ROMESH® SCREEN

- The square mesh provides a defined separation size
- Low headloss
- Mechanical COD/BOD reduction by up to 30 %
- Filterable solids (AFS) reduction by up to 60 %
- Optional periodic high pressure cleaning (120 bar)
- Addition of precipitants and flocculants reduces AFS up to 95%, COD/BOD up to 65%, phosphorus up to 60%.
- Enclosed, compact design
- Very high hydraulic throughput

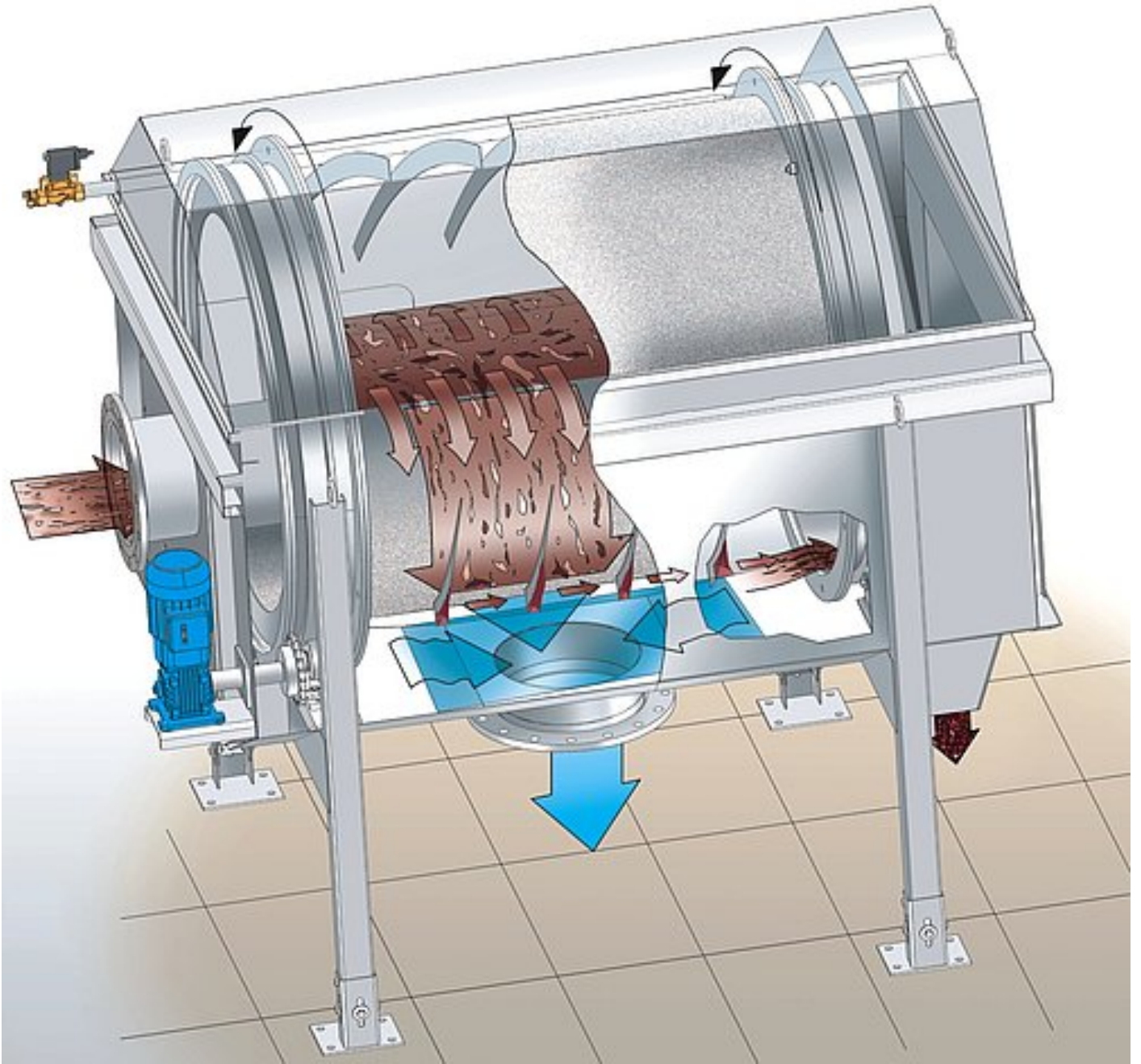
## Do pobrania

 [Brochure: ROTAMAT® Rotary Drum Screen RoMesh®](#) [pdf, 299 KB]

## Przykłady wdrożeń

- [HUBER applications in poultry slaughterhouse Süddeutsche Truthahn AG](#)
- [New plant in Switzerland for innovative sewer grit treatment with process water recycling](#)

## Rysunek schematyczny



Media





Video: HUBER Drum Screen  
RoMesh®

[https://www.youtube.com/watch?  
v=nNstEvZA-24](https://www.youtube.com/watch?v=nNstEvZA-24)

## Inne produkty z tej grupy Sita ultra gęste

- [HUBER Sito membranowe ROTAMAT® RoMem](#)
- [HUBER Drum Screen LIQUID](#)
- [HUBER Sito obrotowe RoDisc®](#)

---

Biuro Handlowe: ul. Ryżowa 51, 02-495 Warszawa, tel. + 48 22 572-28-60; fax + 48 22 572 28 68  
Serwis: ul. Ryżowa 51, 02-495 Warszawa, tel. + 48 22 572-28-60; fax + 48 22 572 28 98  
KRS: 0000132940 Organ rejestrowy: Sąd Rej. dla m.st. W-wy w Warszawie, XIII Wydział Gospod. KRS

NIP 521-009-28-15  
KRS 0000132940  
Kapitał zakładowy 500.000 zł

Member of the HUBER group:  
[www.huber.de](http://www.huber.de)